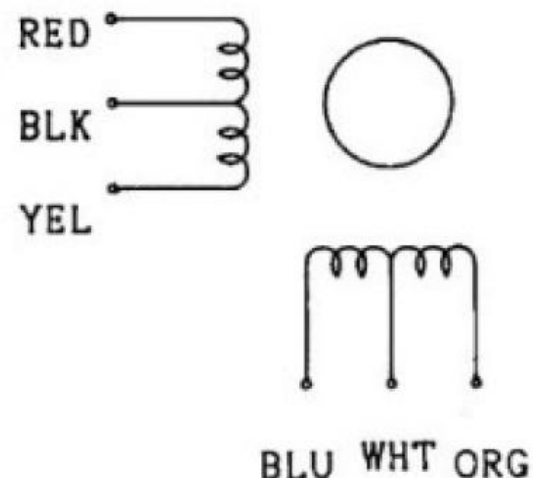


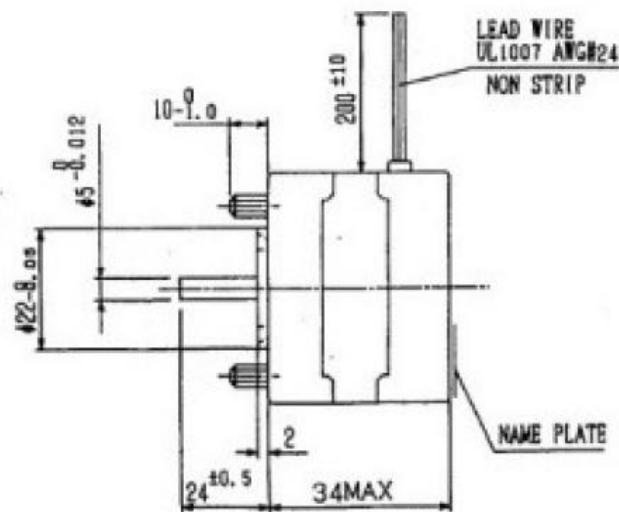
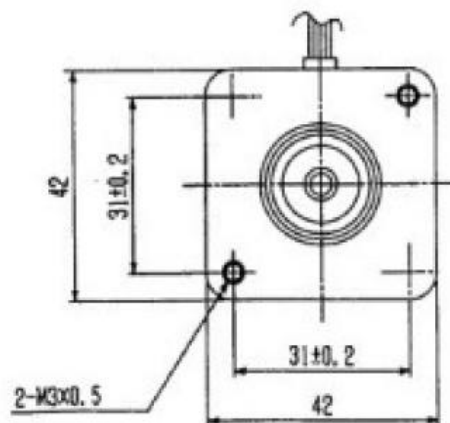
ITEMS	SPECIFICATIONS	NOTES
RATED VOLTAGE	7.0 V	
RATED CURRENT	0.58 A/PHASE	
MAX. INPUT	8.12 W	
STEP ANGLE	3.6 DEG	
STEP ACCURACY(POSITION)	±5.0 % MAX	
SHAFT ROTATION	BI-DIRECTIONAL	1
MAX. STATIC TORQUE	1080 g-cm MIN.	2
PULL OUT TORQUE	500 g-cm MIN. AT 1000 PPS	3
PULL OUT TORQUE	— g-cm MIN. AT — PPS	3
MAX. SLEW SPEED	— PPS	3
WINDING RESISTANCE	12 OHM ±10%	
WINDING INDUCTANCE	11.6 mH REF	4
INSULATION RESISTANCE	100 MΩ MIN.	5
DIELECTRIC STRENGTH	500 V AC	6
TEMPERATURE RISE	80 DEG. C MAX.	7
CLASS OF INSULATION	B	
RADIAL PLAY	0.03mm MAX. (1350g LOAD)	9
END PLAY	0.3 mm MAX. (1350g LOAD)	
ROTOR INERTIA	17 g-cm <sup>2</sup>	
WEIGHT	250 g REF.	

NOTES

1. ROTATION OF SHAFT TO BE CW FACING MOUNTING END WHEN SEQUENCED AS FIG.2
2. AT RATED CURRENT AND TWO PHASES ON.
3. SPECIFICATIONS APPLY DRIVER SI-7330A, V<sub>DD</sub>=23.8V, I<sub>D</sub>=0.55A/PH, TESTER PV900 AND SWITCHING SEQUENCE AS SHOWN FIG2.
4. MEASURED AT 1 KHz 1 V RMS.
5. WITH 500V DC APPLIED BETWEEN WINDING AND CASE.
6. THERE SHALL BE NO BREAKDOWN AT 500V AC 50/60 Hz APPLIED FOR 1 MINUTE BETWEEN WINDING AND CASE.
7. DETERMINED BY MEANS OF RESISTANCE METHOD WITH TWO PHASE ENERGIZED SIMULTANEOUSLY AT RATED VOLTAGE.
8. ALL SPECIFICATIONS APPLY BEFORE TEMPERATURE RISE AT ROOM TEMPERATURE ONLY.
9. MEASURED AT 1cm FROM MOTOR SURFACE.



STEP	RED	BLU	YEL	ORG	BLK	WHT
1	-	-				+
2		-	-			+
3			-	-		+
4	-			-		+



				ミネベア株式会社 MINEBEA CO., LTD.		単位 UNIT mm		シート SHEET 1/1		作成 DATE 95 / 03 / 08	
				APPROVED		尺数 SCALE 寸法 寸法		品名 TITLE ミニアングルステッパー		図面番号 DWG NO.	
				CHECKED		1:5 1:2		MINI ANGLE STEPPER		REV	
				DRAWN		1:1 1:2		17PS-C058-01V			
				KRNH		1:1 1:2					
				KWN		1:1 1:2					
MARK	DATE	変更理由 REASON	ECN NO.	担当 ENGINEER	承認 APPROVED	TOL	公差 DEG				